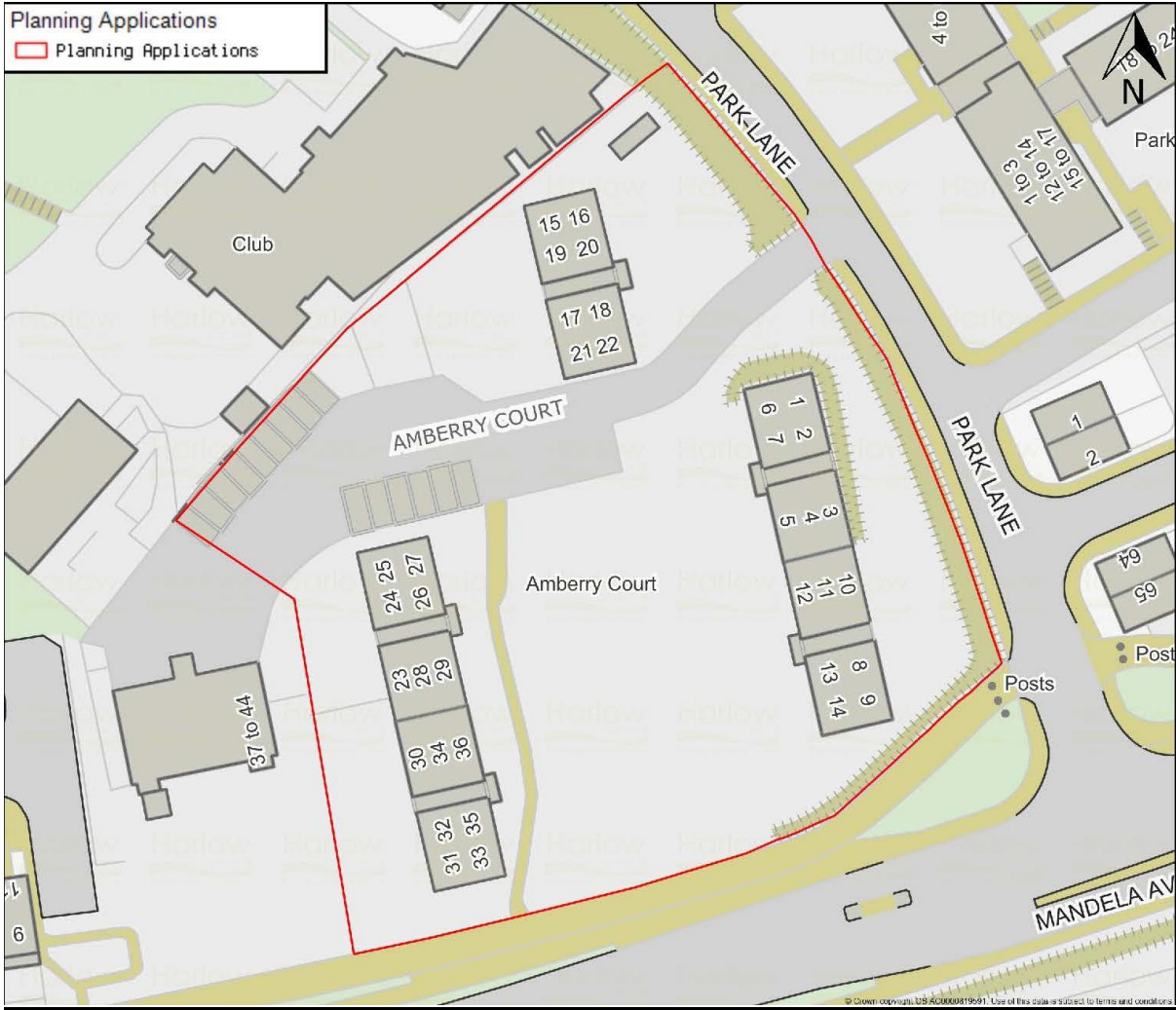


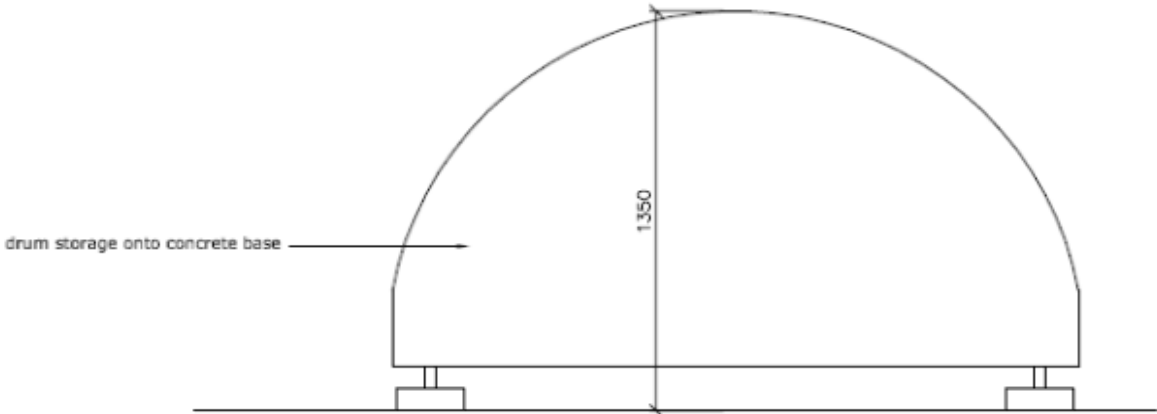
LOCATION PLAN



CYCLE STORAGE PLAN



CYCLE STORAGE DRUM DIMENSIONS



Proposed Cycle Drum End view - 1:20

